

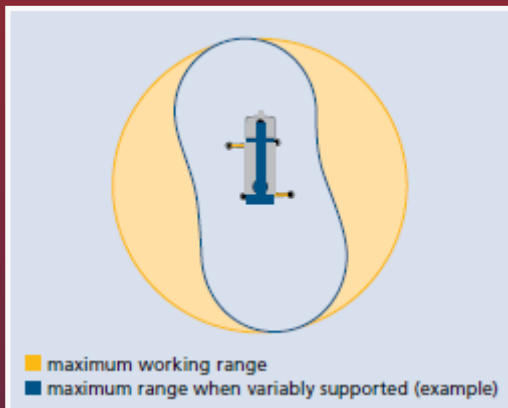


Precise radio control

- Radio-remote control with integrated graphic display made from one of the world's leading manufacturers (HBC radiomatic).
- Simple and clear presentation of the operating situation with pictograms for intuitive and safe control.
- Efficient operation due to simultaneous control of several core functions.
- Superior operator vision, simplifying most jobs and reducing the requirement of 2-way radios.

Fully variable outriggers

- Fully independent adjustment of each crane outrigger ensures a flexible installation and an optimal assembling geometry
- *Automatic levelling function guarantees a fast and safe set-up of the crane by using the radio-remote control
- Uniquely small slewing radius thanks to the design makes operations at a roadside with moving traffic possible
- Working on extremely confined construction sites and obstacles made easy
- Maximum stability regardless of the weather due to consistent and multiply secured overall-safety concept



PLC control for maximum safety

- Ultra-modern control ensures a sensitive and precise work with low vibrations
- Automatic approval of the maximum working range depending on the position of supports and attached load guarantees safety whilst eliminating the opportunity for operator input errors
- *Additional limitation of rotation angle for limiting the area of work e.g. operations close to sensitive areas
- Choose between slow and quick movement depending on working situation
- Redundant safety concept – two separate safety circuits continuously monitor each other thus guaranteeing maximum working safety
- Entire safety concept certified by German technical inspection authority (TÜV Süd)

Comprehensive range of accessories*

- Maximum versatility – accessories specifically tailored to each operation
- Lightweight aluminium design for maximum payloads and ranges
- Tipping skips in different sizes
- The Böcker crane accessories guarantee highly efficient work flows



Future-proof and environmentally friendly

- Biodegradable hydraulic oil with extreme durability and lowest water hazard class
- Modern truck engine technology (Euro 6*) with maximum efficiency
- Optimum performance at reduced fuel and oil consumption as well as very low emission values
- Reduced fuel consumption due to latest engine technology
- Böcker cranes may be used in any environmental protection zone thus they are future-proof

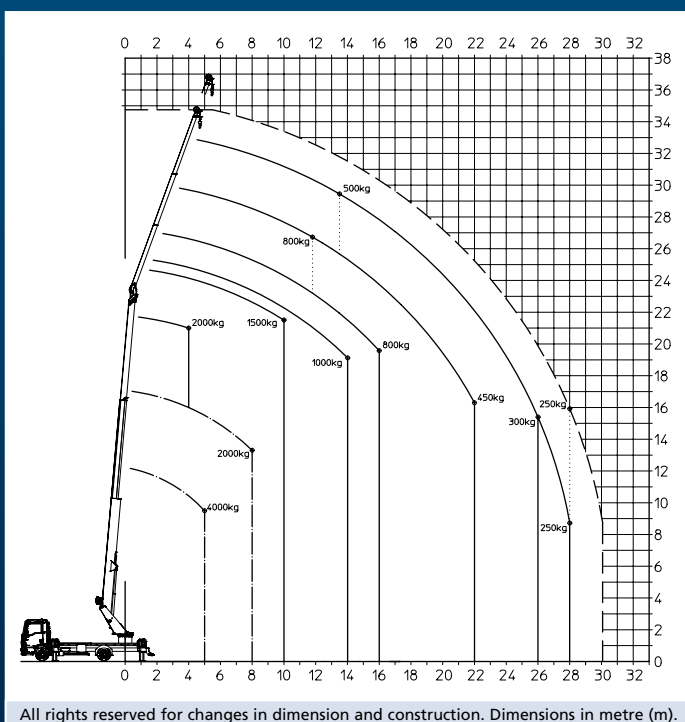
* Optional equipment available upon request (additional costs may apply)

Truck Crane AK 37 / 4000

NEW



Duty chart



Technical specifications

Payload max. [kg]	2,000 (opt. 4,000)
Extension length max. [m]	35.00 (opt. 37.00)
Main boom length max. [m]	23.30
Jib extendible [m]	4.87 – 11.00 (opt. 13.00)
Jib payload [kg]	2,000 / 800 / 500 / (250)
Main boom angle approx. [degrees]	85
Jib angle approx. [degrees]	162
Lifting speed approx. [m/min]	60
Support area L x W / (to one side) [m]	5.40 x 5.55 / (3.96)
Vehicle dimensions L x B x H [m]	8.35 x 2.55 x 3.80
Wheelbase min. [mm]	4,200
Gross vehicle weight [t]	7.49
Working height platform operation [m]	30.50
Lateral range with access platform [m]	21.10 at 250 kg 24.00 at 100 kg