

Truck Crane AK 52



Technical Data

Permissible gross vehicle weight (t)	26 / (32)
Max. payload (kg)	3.000 (optional 6.000/12.000)
Max. extension length (m)	52,0 (optional 55,0)
Hook height max. (m)	50
Working height up to boom (m)	38,0
Boom extendable (m)	6,3 / 10,3 / 14,3
Boom payload (kg)	3.000 / 2.000 / 1.000
Main mast angle (degrees)	85
Boom angle (degrees)	157
Pivoting range (degrees)	endless
Hook speed (m/min)	50
Range for crane operation at 250 kg (m)	43,0
Range for crane operation at 500 kg (m)	40,0
Range for crane operation at 1 t (m)	34,0
Range for crane operation at 2 t (m)	22,0
Range for crane operation at 4 t (m)	13,0
Range for crane operation at 6 t (m)	10,0
Range for crane operation at 12 t (m)	5,0
Range for platform operation with rotatable basket (m)	30,0 at 600 kg 33,0 at 250 kg 36,0 at 100 kg
Range for platform operation with hooped basket (m)	37,5 at 250 kg 40,0 at 100 kg
Working height with rotatable basket max. (m)	51,0
Working height with hooped basket max. (m)	53,0





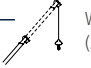
All rights reserved for changes. All specified values are maximum values.

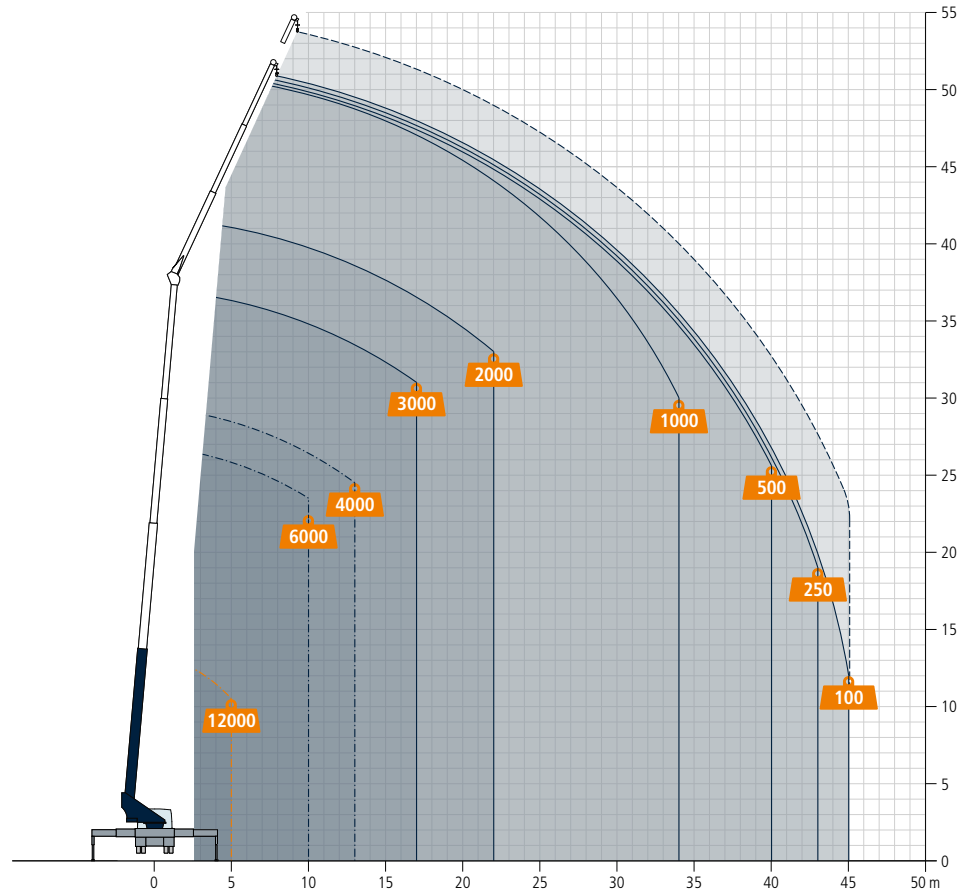
The Böcker AK 52 sets new standards in the class of 26 t trucks. Lifting 1.000 kg to a sensational radius of 34 m with a height of 30 m it is most likely the strongest crane in an aluminium-steel design which is currently available on the market.

The AK 52 also reaches new heights when being used as a working platform. Its extendable cage with a width of 3.5 meters it impresses with a load capacity of up to 600 kg. Thanks to its small slewing radius, its highly-modern closed hybrid-telescope boom and its fully-hydraulic, telescopic fly jib of 14 m it is perfect for your job site even when working in tight spaces!

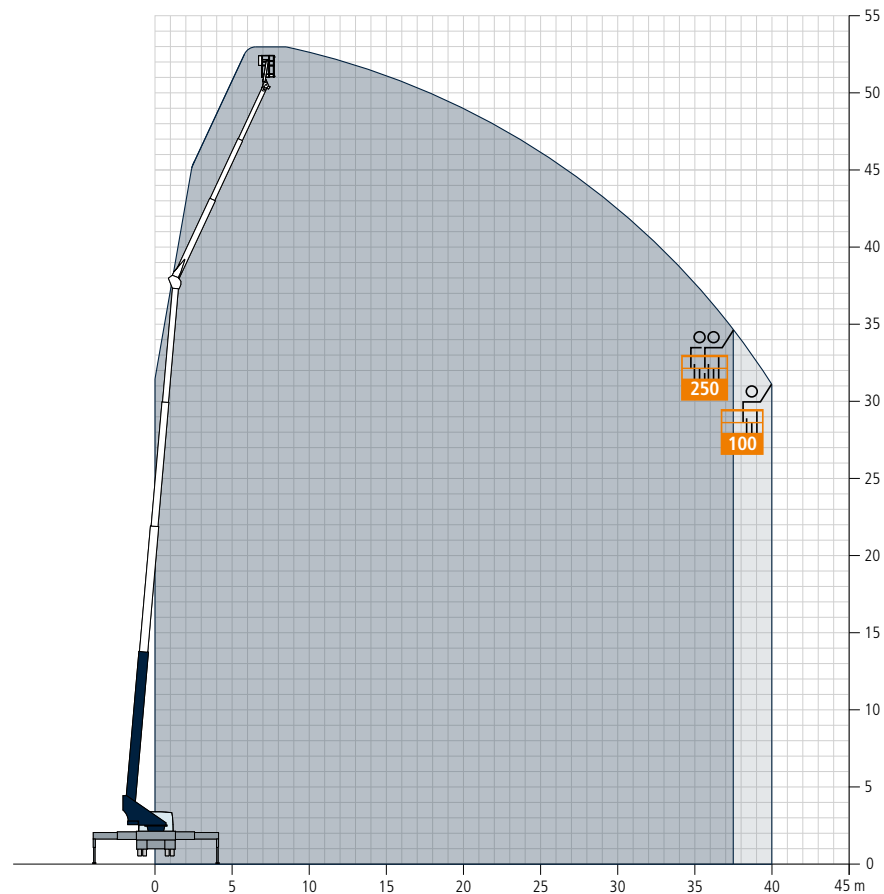
Böcker
MY WAY TO THE TOP

Working range crane operation

-  Load in kg
-  Single-fall operation
-  Two-fall operation
-  Four-fall operation
-  With jib-extension (3 m)

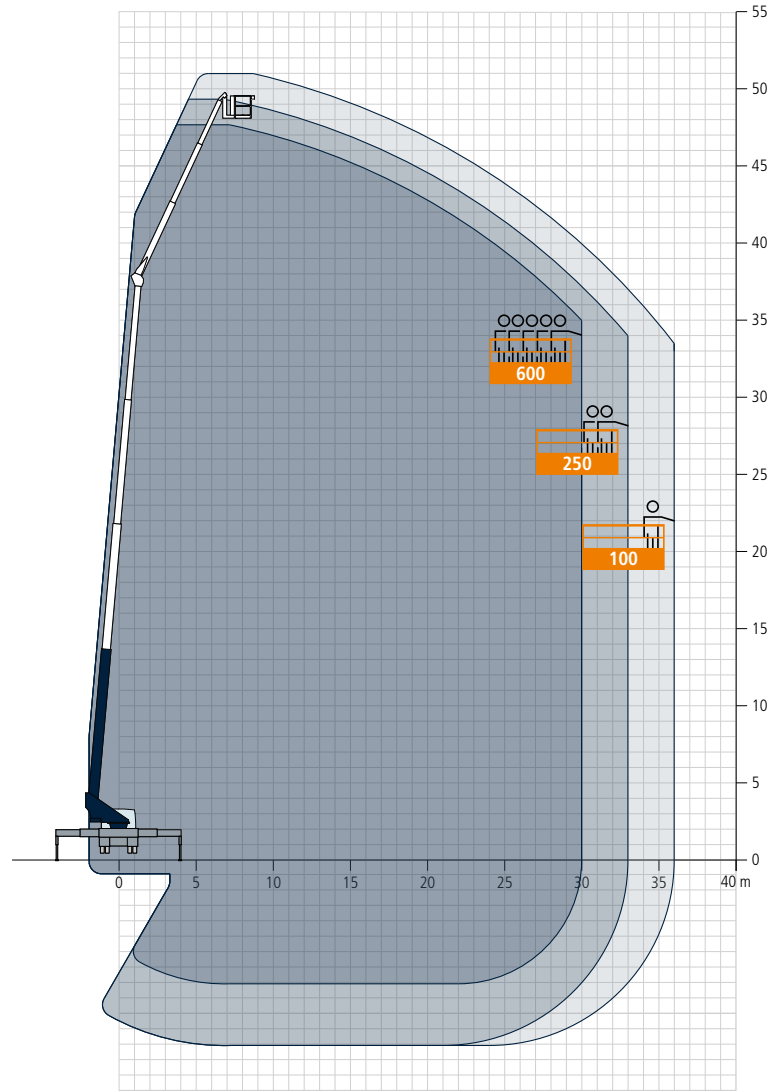


Working range platform operation (hooped basket)

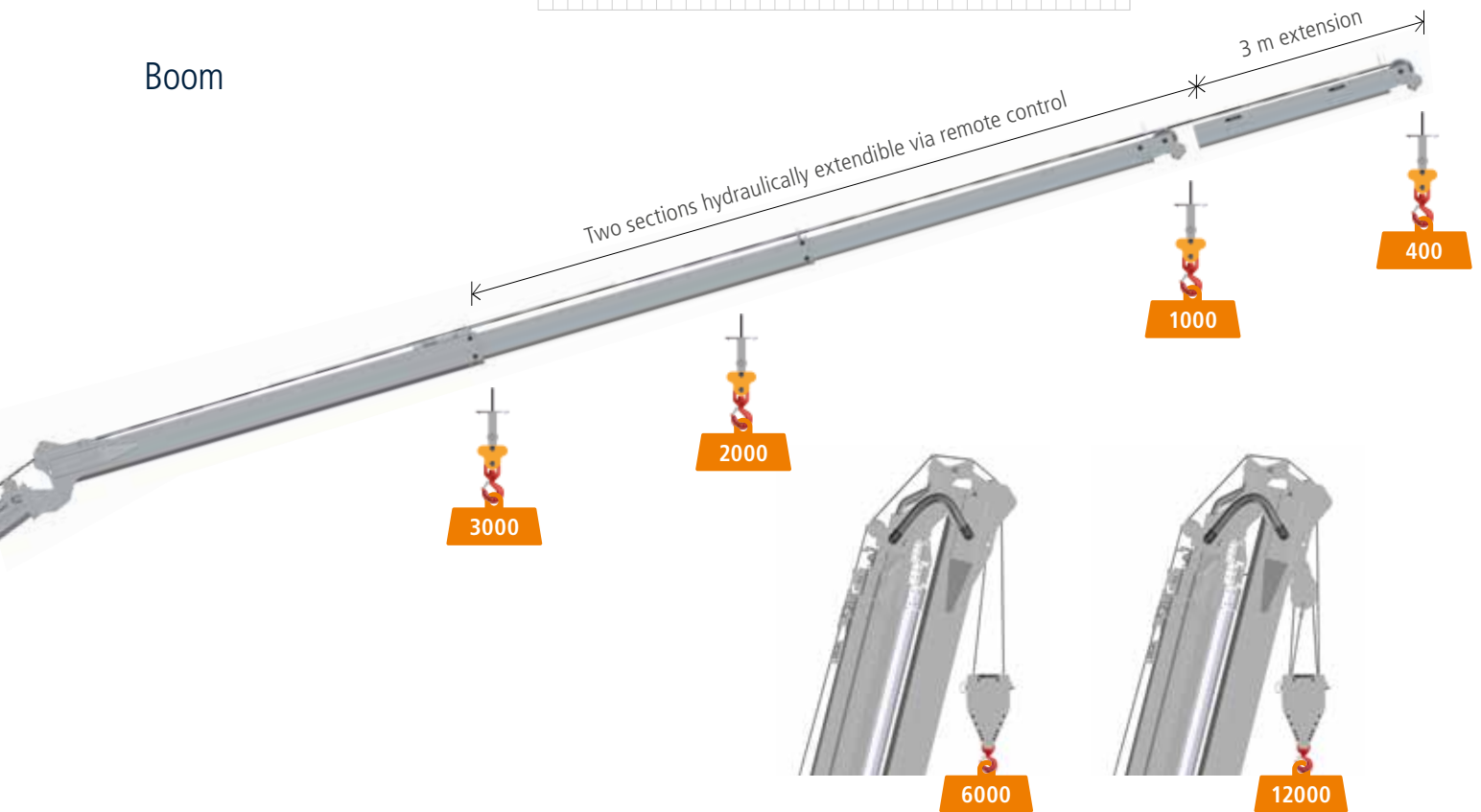


All weights are in kg.
Measurements can fluctuate slightly.

Working range
platform operation
(rotatable basket)

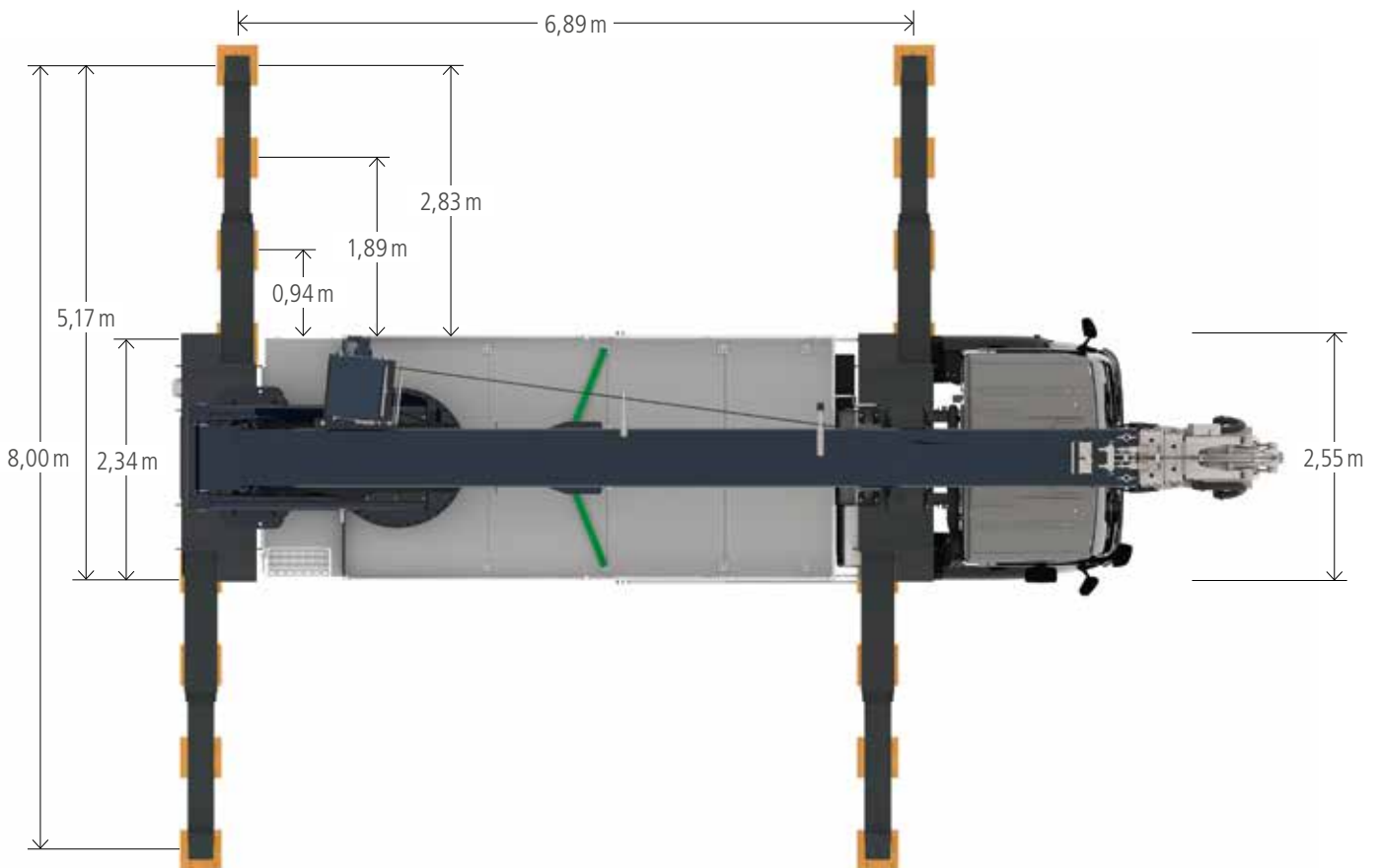
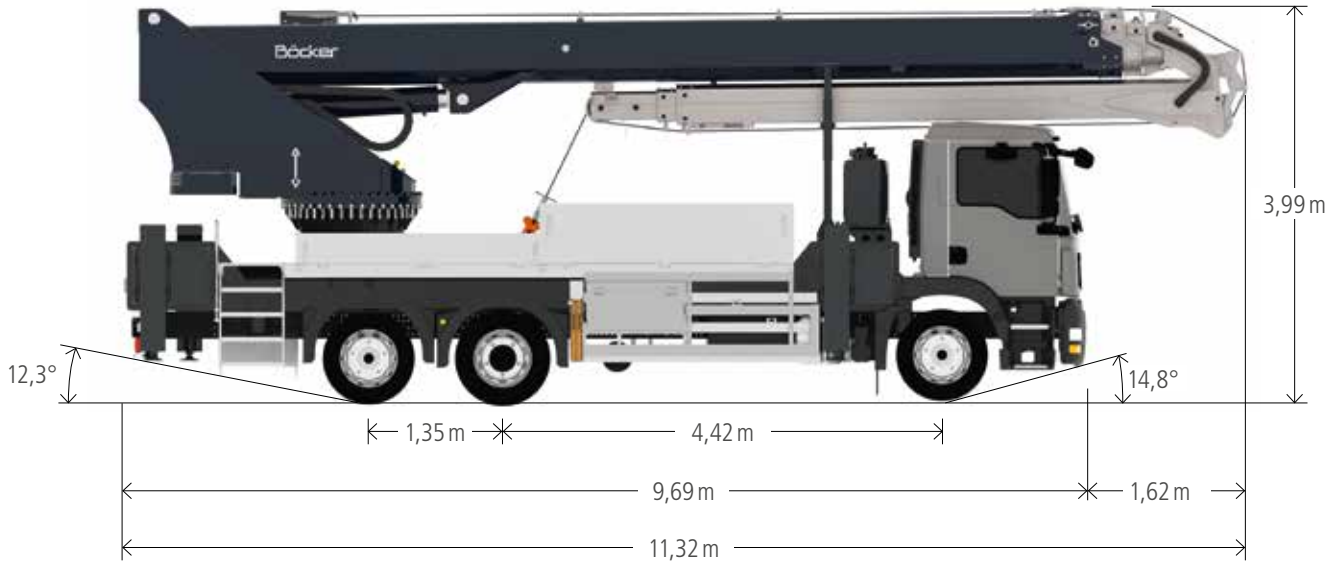


Boom



All weights are in kg.
Measurements can fluctuate slightly.

Dimensions



Böcker

www.boecker.de

Böcker Maschinenwerke GmbH

Lippestr. 69-73
DE-59368 Werne

Fon +49 (0)2389 79890
Fax +49 (0)2389 79899000
info@boecker.de